

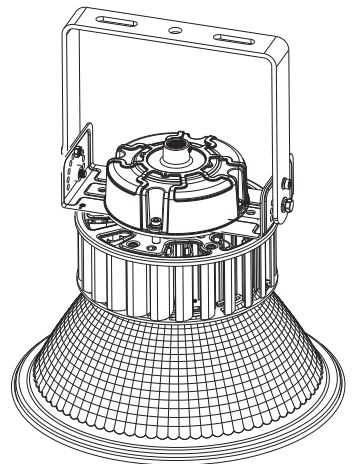
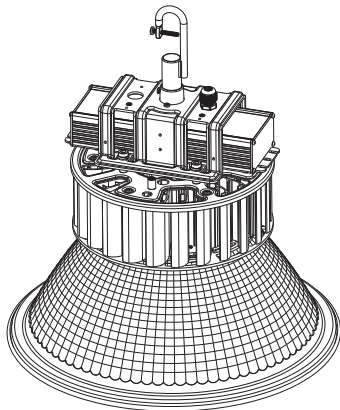
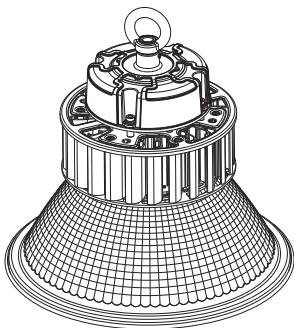


# NEW LED HIGH BAY

60W 100W 150W 200W



CB LCP





Five connection ways making the installation easier. Pipe installation, Hook installation, Rings hook installation, E40 base installation, Angle bracket installation, totally are 5 convenient installation ways.



- 5  
Year  
Warranty
- Easy  
Maintenance
- Ceiling  
Mount
- Hanging  
Mount
- IP65  
IP  
Rating

- IP Rating: IP65
- Dimming Options: Non-dimmable/Dimmable
- Input Voltage: 100-277VAC, 50/60Hz
- CCT: 3000K/4000K/4500K/5000K/5700K/6500K
- Beam Angle: 25°, 60°, 90°, 100° and 120°
- Light Source: SMD 3030

Sing high power Philips SMD 3030 120Lm/W chip led high bay light equivalent to 200W to 500W HID/Metal Halide lamp, More beam angle options of reflector lets you choose the right use place. The size of the reflector is optional. 25°, 60°, 90°, 100° and 120° are available

Model #	Rated Power(W)	Luminous Flux (lm)	Weight ( kg )	Size(mm)
LSHBL-60WXY	60W	7200Lm	2.50	Dia*H: 345mm*364mm
LSHBL-100WXY	100W	12000Lm	3.00	Dia*H: 345mm*384mm
LSHBL-150WXY	150W	18000Lm	3.60	Dia*H: 345mm*414mm
LSHBL-200WXY	200W	24000Lm	5.10	Dia*H: 345mm*464mm